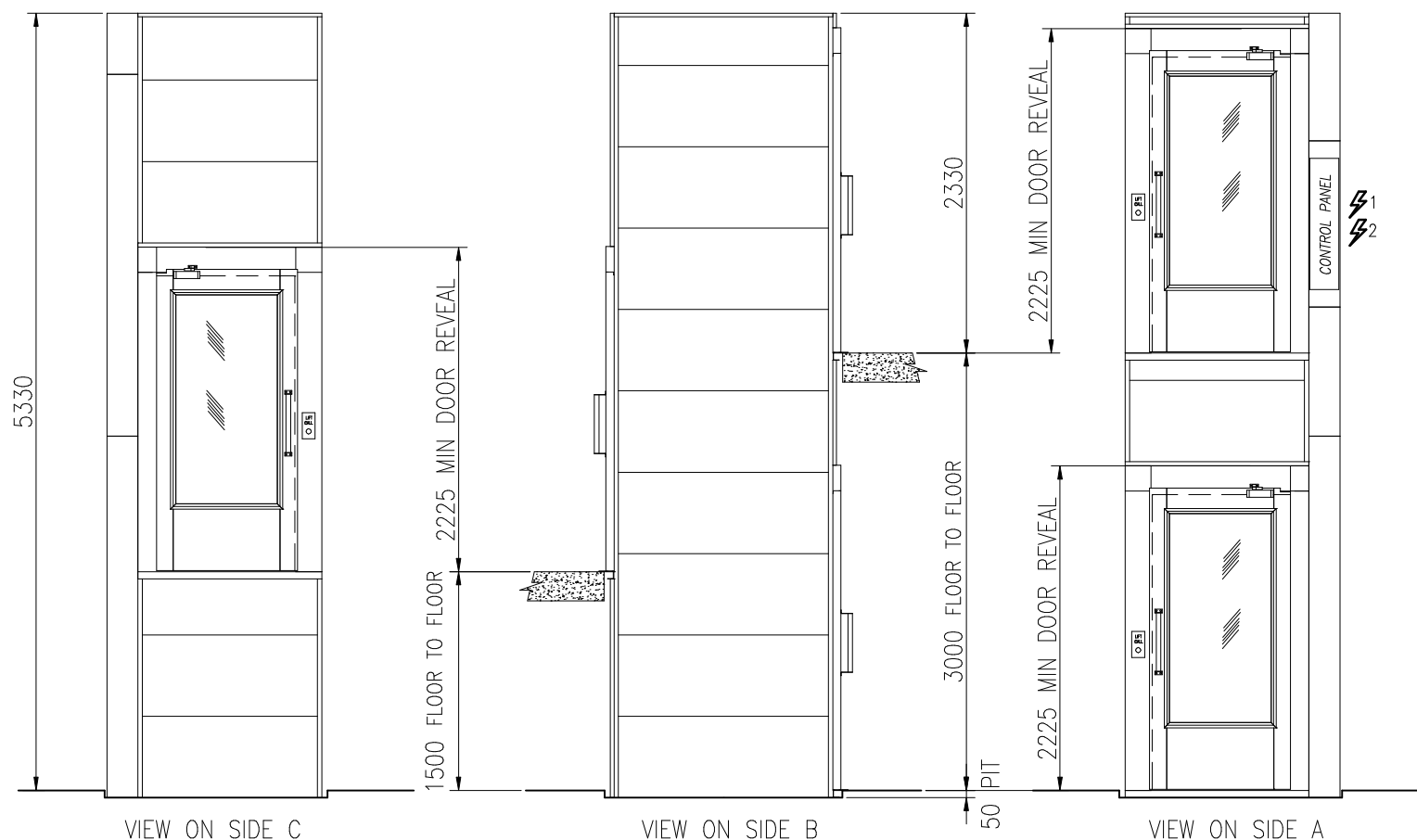
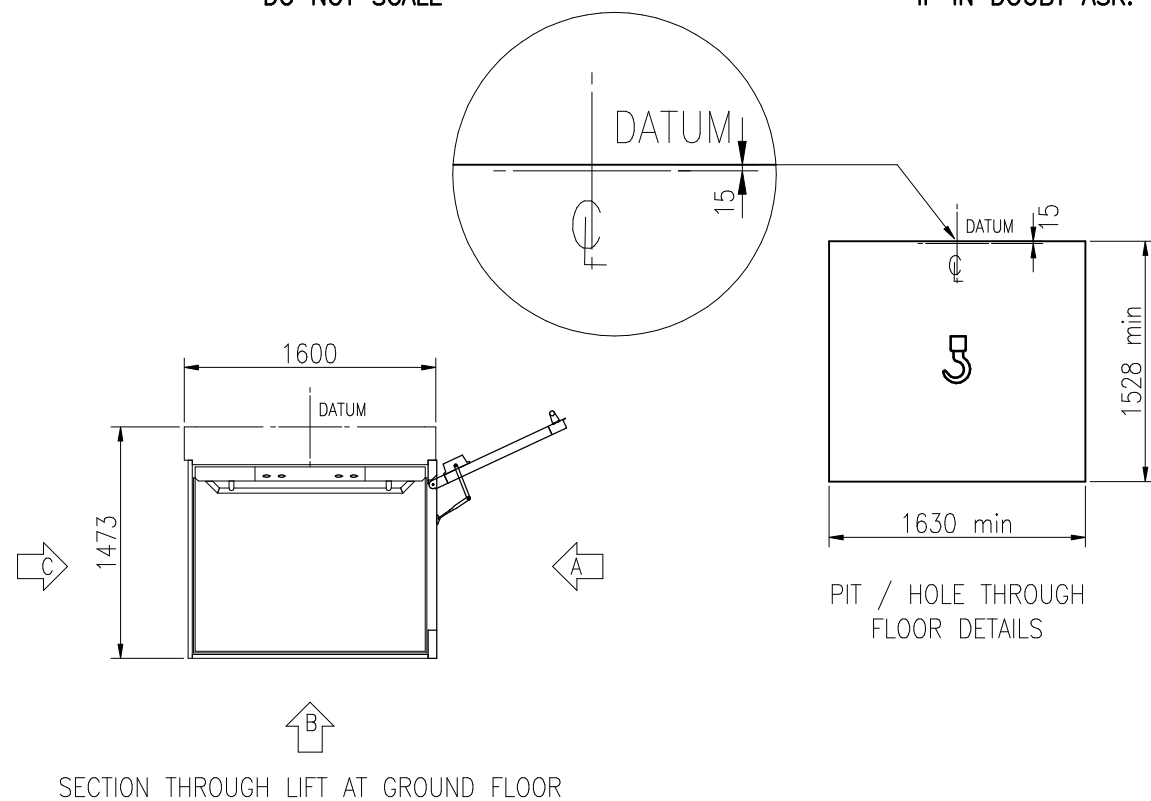


ALL DIM. ARE IN mm

DO NOT SCALE

IF IN DOUBT ASK!



SPECIFICATION		OPTIONS AVAILABLE
VERTICAL PLATFORM LIFT FOR USE BY PERSONS WITH IMPAIRED MOBILITY ONLY LOADING TO 400kg, TWO PERSON OCCUPANCY WITH FULLY ENCLOSED SHAFT PLATFORM SIZE 1480mm x 1100mm		KEY SWITCH DOOR CALL POINTS KEY ISOLATE DOOR CALL POINTS STAINLESS STEEL DOOR HANDLES PIT SPLIT MAST POWERED DOOR ACTUATORS REAR CLADDING PANELS CEILING WITH LIGHT FITTING STAINLESS STEEL GRAB RAIL MAST SUPPORT BRACKETS FOLD DOWN PLATFORM SEAT AUTODIALER
ELECTRICAL REQUIREMENTS		PLATFORM AUDIBLE / VISUAL ANN. INDUCTION LOOP AUDIBLE ANN. ON LANDING VISUAL ANN. ON LANDING SUPPLEMENTARY VISUAL ALARM
⚡ ₁ LIFT POWER SUPPLY 1 PHASE 230V 20A or 3 PHASE 415V 10A ⚡ ₂ CEILING LIGHT POWER SUPPLY 1 PHASE 230V 6A		EXTERNAL ROOF EXTERNAL DOOR WEATHER STRIP(S) GLAZING SIDE A SIDE B SIDE C
LIFTING BEAM / POINT REQUIREMENTS		
⚙️ LIFTING BEAM / POINT REQUIRED RATED AT 500kg SWL		
DRAWING APPROVAL		
DRAWING APPROVED BY DISTRIBUTOR		
SIGN..... NAME..... DATE .../.../...		
DRAWING APPROVED BY CLIENT		
SIGN..... NAME..... DATE .../.../...		HARRY DALBY ENGINEERING LTD GLOUCESTER CRESCENT WIGSTON LEICESTER LE18 4YQ TEL: 0116 291 6000 FAX: 0116 291 6001
THIS DRAWING IS ISSUED SOLELY ON THE UNDERSTANDING THAT IT IS COPYRIGHT AND CONFIDENTIAL. IT MAY NOT BE USED OR REPRODUCED WITHOUT PRIOR WRITTEN CONSENT OF THE COMPANY		Ⓢ THIRD ANGLE PROJECTION

A J.J.SELFRIDGE 17 APR 09 ORIGINAL ISSUE
 ISSUE DRN./DATE CHANGE DETAILS

CLIENT
 -
 -
 -
 -

TITLE
**VERTICAL LIFTING PLATFORM
 TYPICAL LAYOUT DRAWING
 3 FLOOR EXAMPLE
 1100 PLATFORM**

CONTRACT NO: - ORIGINAL SCALE: 1:50
 DRAWING NO: K-TYP19

Dalby

A3