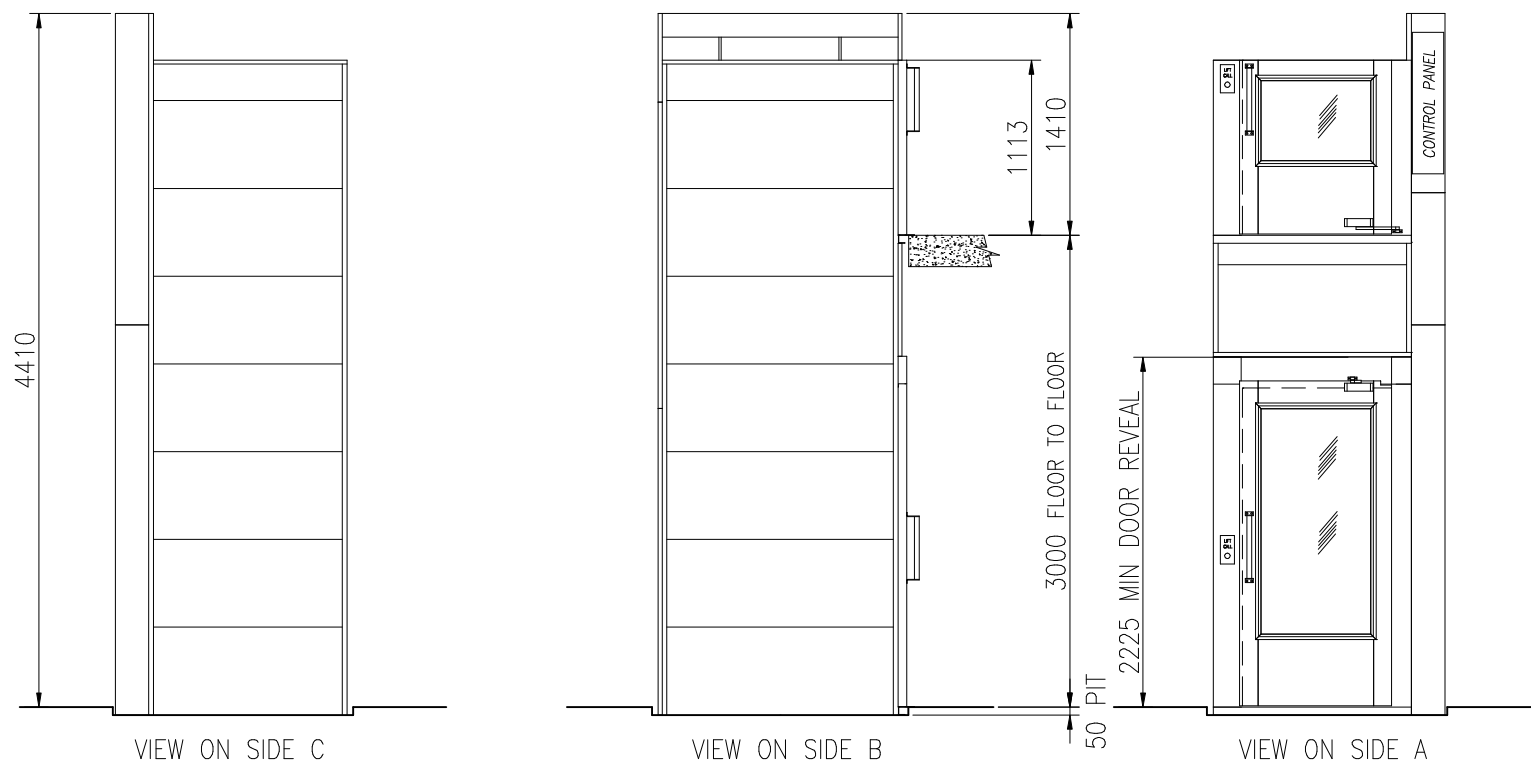
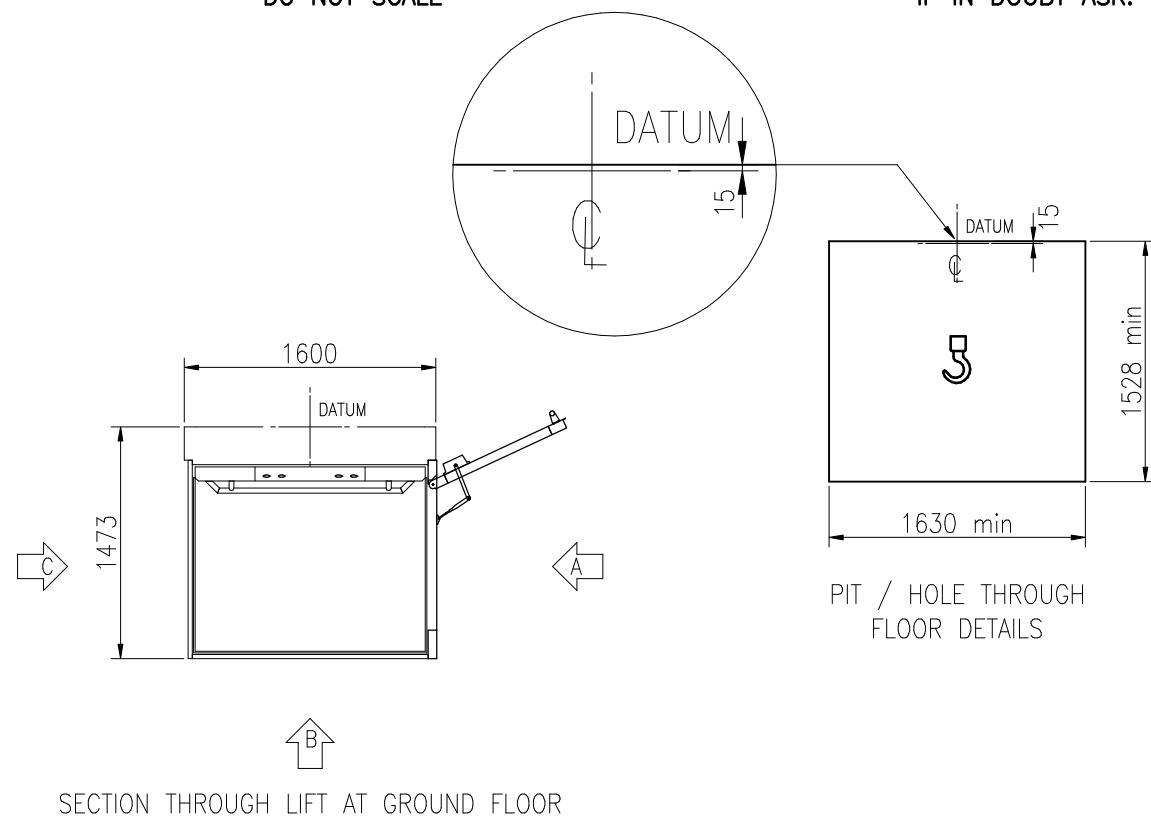


ALL DIM. ARE IN mm

DO NOT SCALE

IF IN DOUBT ASK!



SPECIFICATION		OPTIONS AVAILABLE
VERTICAL PLATFORM LIFT FOR USE BY PERSONS WITH IMPAIRED MOBILITY ONLY LOADING TO 400kg, TWO PERSON OCCUPANCY WITH FULLY ENCLOSED SHAFT PLATFORM SIZE 1480mm x 1100mm		KEY SWITCH DOOR CALL POINTS KEY ISOLATE DOOR CALL POINTS STAINLESS STEEL DOOR HANDLES PIT SPLIT MAST POWERED DOOR ACTUATORS REAR CLADDING PANELS STAINLESS STEEL GRAB RAIL MAST SUPPORT BRACKETS FOLD DOWN PLATFORM SEAT
ELECTRICAL REQUIREMENTS		AUTODIALER
⚡ ₁	LIFT POWER SUPPLY 1 PHASE 230V 20A or 3 PHASE 415V 10A	PLATFORM AUDIBLE / VISUAL ANN.
⚡ ₂	CEILING LIGHT POWER SUPPLY 1 PHASE 230V 6A	INDUCTION LOOP AUDIBLE ANN. ON LANDING VISUAL ANN. ON LANDING SUPPLEMENTARY VISUAL ALARM
LIFTING BEAM / POINT REQUIREMENTS		GLAZING
⚙	LIFTING BEAM / POINT REQUIRED RATED AT 500kg SWL	SIDE A SIDE B SIDE C
B	J.J.SELFRIDGE 17 APR 09	OPTIONS ADJUSTED
A	A.J.ROLLINGS 08 NOV 06	ORIGINAL ISSUE
ISSUE	DRN./DATE	CHANGE DETAILS
CLIENT		
-		
-		
-		
-		
TITLE		
VERTICAL LIFTING PLATFORM TYPICAL LAYOUT DRAWING HALF DOOR 1100		
CONTRACT NO:	-	ORIGINAL SCALE: 1:50
DRAWING NO:	K-TYP06	
DRAWING APPROVAL		
DRAWING APPROVED BY DISTRIBUTOR		
SIGN.....	NAME.....	DATE .../.../...
DRAWING APPROVED BY CLIENT		
SIGN.....	NAME.....	DATE .../.../...
		THIRD ANGLE PROJECTION
		A3

HARRY DALBY ENGINEERING LTD
 GLOUCESTER CRESCENT WIGSTON LEICESTER LE18 4YQ
 TEL: 0116 291 6000 FAX: 0116 291 6001

THIS DRAWING IS ISSUED SOLELY ON THE UNDERSTANDING THAT IT IS COPYRIGHT AND CONFIDENTIAL. IT MAY NOT BE USED OR REPRODUCED WITHOUT PRIOR WRITTEN CONSENT OF THE COMPANY