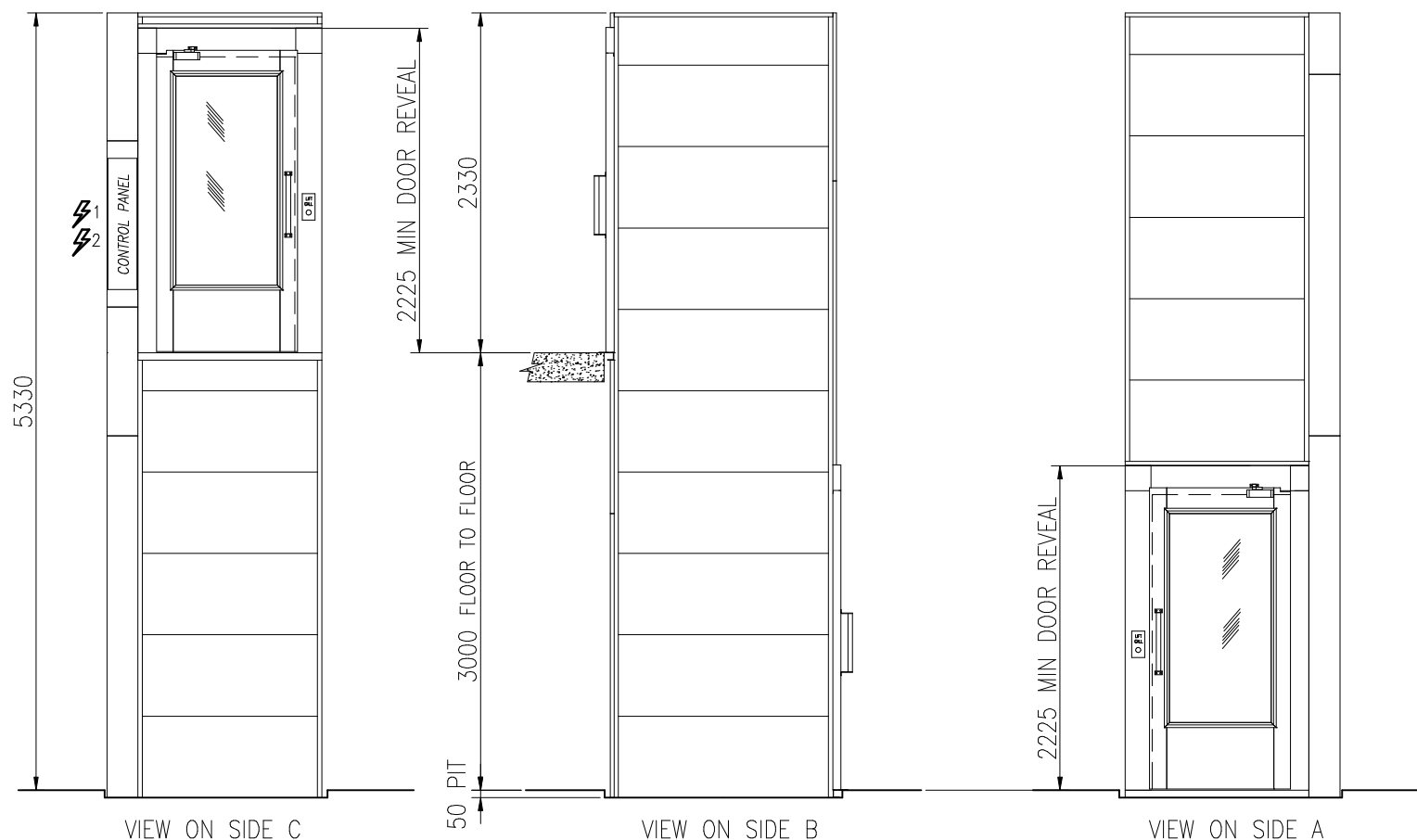
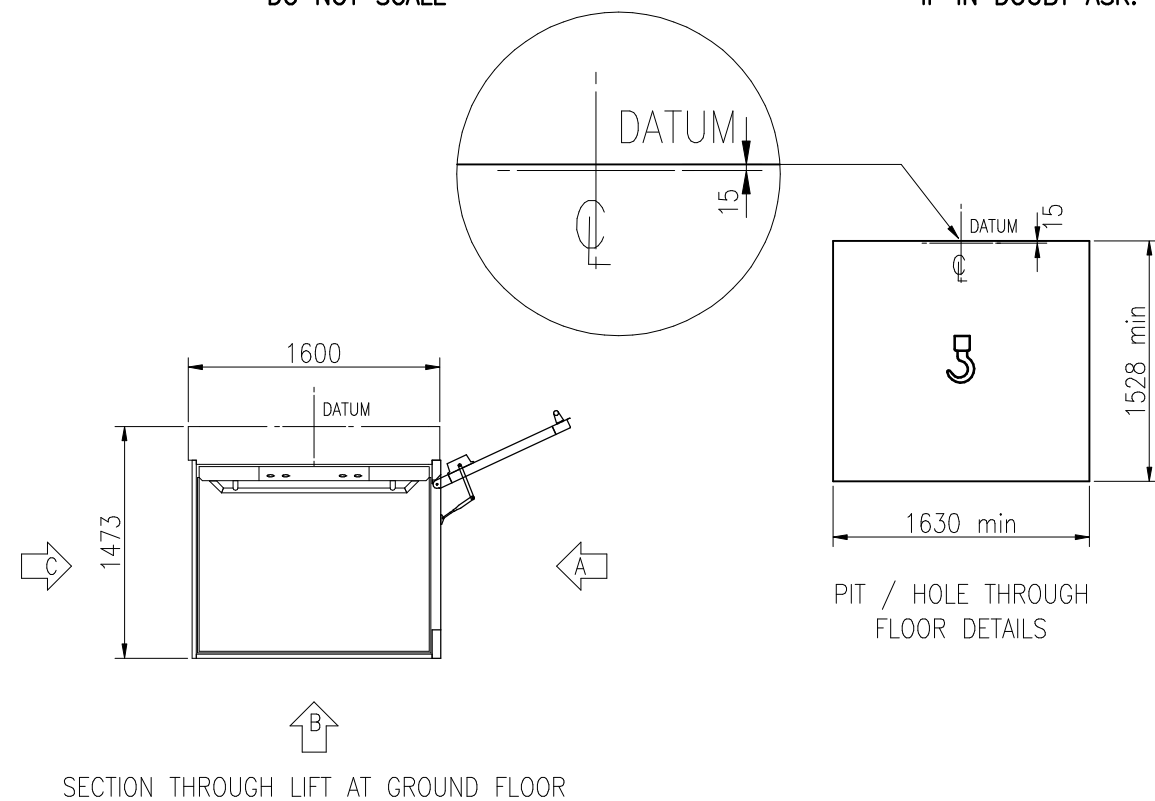


ALL DIM. ARE IN mm

DO NOT SCALE

IF IN DOUBT ASK!



SPECIFICATION		OPTIONS AVAILABLE	
VERTICAL PLATFORM LIFT FOR USE BY PERSONS WITH IMPAIRED MOBILITY ONLY LOADING TO 400kg, TWO PERSON OCCUPANCY WITH FULLY ENCLOSED SHAFT PLATFORM SIZE 1480mm x 1100mm		KEY SWITCH DOOR CALL POINTS KEY ISOLATE DOOR CALL POINTS STAINLESS STEEL DOOR HANDLES PIT SPLIT MAST POWERED DOOR ACTUATORS REAR CLADDING PANELS CEILING WITH LIGHT FITTING STAINLESS STEEL GRAB RAIL MAST SUPPORT BRACKETS FOLD DOWN PLATFORM SEAT AUTODIALER PLATFORM AUDIBLE / VISUAL ANN. INDUCTION LOOP AUDIBLE ANN. ON LANDING VISUAL ANN. ON LANDING SUPPLEMENTARY VISUAL ALARM	
ELECTRICAL REQUIREMENTS		EXTERNAL ROOF	
⚡ <sub>1</sub>	LIFT POWER SUPPLY 1 PHASE 230V 20A or 3 PHASE 415V 10A	EXTERNAL DOOR WEATHER STRIP(S)	
⚡ <sub>2</sub>	CEILING LIGHT POWER SUPPLY 1 PHASE 230V 6A	GLAZING	
LIFTING BEAM / POINT REQUIREMENTS		SIDE A	
⚡	LIFTING BEAM / POINT REQUIRED RATED AT 500kg SWL	SIDE B	
		SIDE C	
B	J.J.SELFRIDGE 16 APR 09	OPTIONS ADJUSTED	
A	A.J.ROLLINGS 07 NOV 06	ORIGINAL ISSUE	
ISSUE	DRN./DATE	CHANGE DETAILS	
CLIENT			
-			
-			
-			
-			
TITLE			
<b>VERTICAL LIFTING PLATFORM                      TYPICAL LAYOUT DRAWING                      THROUGH DOORS                      1100 PLATFORM</b>			
CONTRACT NO: -		ORIGINAL SCALE: 1:50	
DRAWING NO: K-TYP01			
DRAWING APPROVAL			
DRAWING APPROVED BY DISTRIBUTOR			
SIGN..... NAME..... DATE .../.../...			
DRAWING APPROVED BY CLIENT			
SIGN..... NAME..... DATE .../.../...			
		THIRD ANGLE PROJECTION	
		A3	

**HARRY DALBY ENGINEERING LTD**  
 GLOUCESTER CRESCENT WIGSTON LEICESTER LE18 4YQ  
 TEL: 0116 291 6000 FAX: 0116 291 6001

THIS DRAWING IS ISSUED SOLELY ON THE UNDERSTANDING THAT IT IS COPYRIGHT AND CONFIDENTIAL. IT MAY NOT BE USED OR REPRODUCED WITHOUT PRIOR WRITTEN CONSENT OF THE COMPANY