

# Modernization Kits

A3 / EN81-21 / transformation / cabin maximisation



# Modernization Kits

A3 / EN81-21 / transformation / cabin maximisation

Unintended car movement can be prevented with the installation of KLEEMANN A3 kits. Kits enable the lift to detect car movement with unlocked landing door and open car door. In this case safety systems block the car immediately and keep it stopped until the problem is solved.

EN81-21 kit maximises safety in existing lifts. Following the kit installation, existing lift obtains same safety level with a new one.

## KIT A3.1

New bidirectional safety gears. This system can be easily fitted in the existing car sling.



Overspeed governor



New controller



## KIT A3.2

New machine gearless or geared with slow shaft brake.



Overspeed governor



New controller



## KIT A3.3

New bidirectional safety gears. This system can be easily fitted in the existing car sling.



Overspeed governor



Electronic interface that detects UCM. No further modification in the existing controller is required.

## KIT EN81-21 TR

### LOW PIT

Extra locking device

Apron



Base and maintenance beam low pit

### LOW HEADROOM

Extra locking device  
Split balustrate base  
and maintenance beam  
low headroom

Controller



## KIT EN81-21 HYDRO

### LOW PIT

Extra locking device

Apron

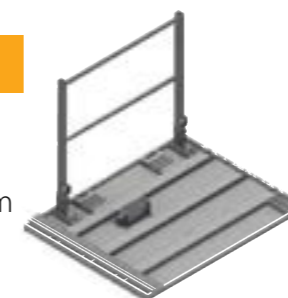


Pit prop

### LOW HEADROOM

Extra locking device  
Split balustrate

New Controller



# Modernization Kits

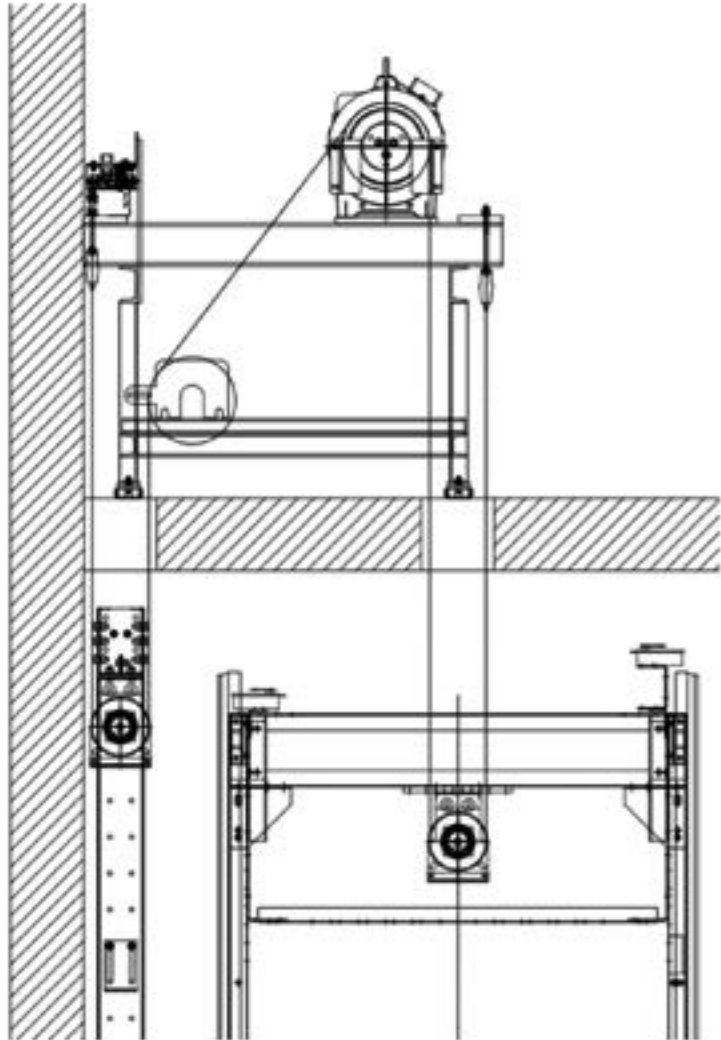
A3 / EN81-21 / transformation / cabin maximisation

## CONVERT ACTING 1:1 TO 2:1

Gearless machines are designed for 2:1 acting and old elevators are mainly 1:1. The use of gearless machines in existing lifts has economical and technical limitations. The conversion kit can be easily fitted without extra holes in the shaft. Thus you can accomplish both improved ride quality and energy saving in affordable cost.

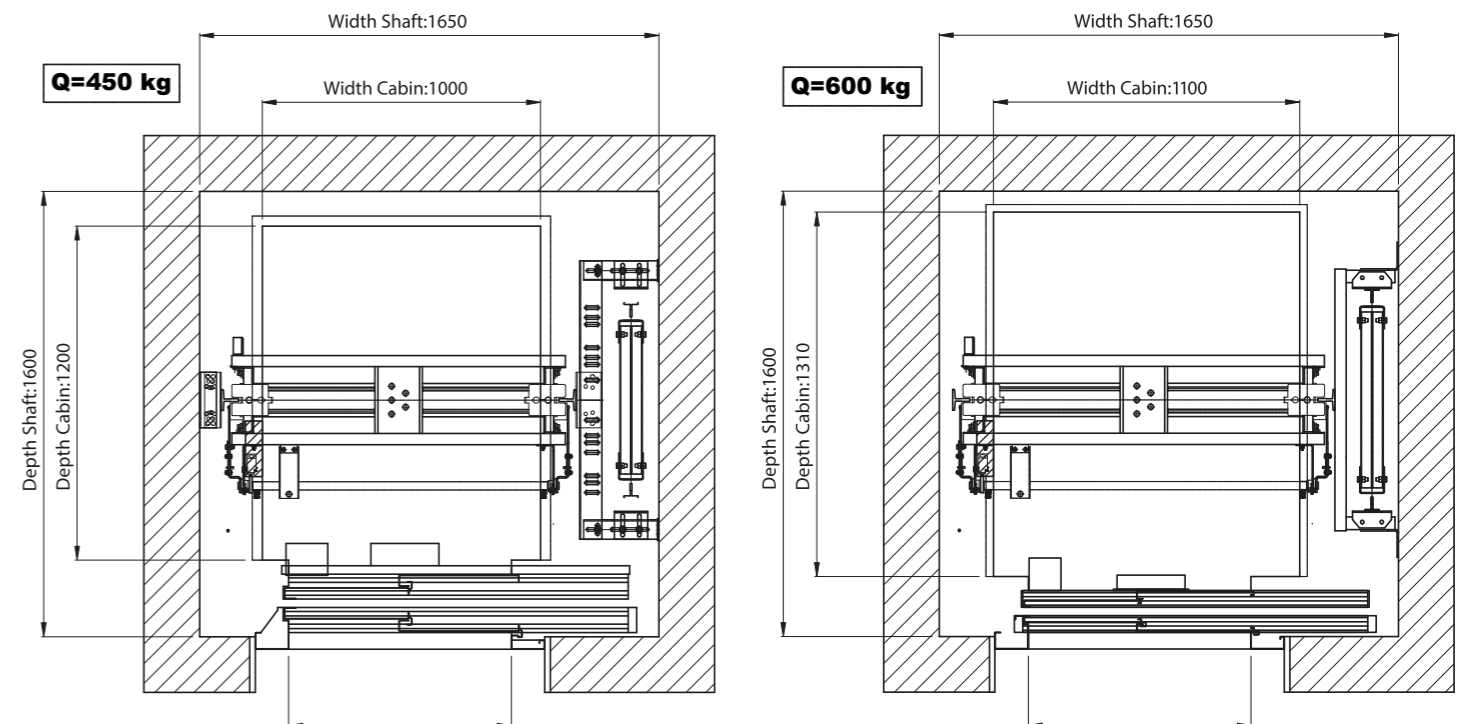
### New parts

- Gearless machine with base
- Kit of pulleys  $\Phi 160$
- Rope  $\Phi 6,5$  Drako 250T
- Controller
- Overspeed governor



## CABIN MAXIMISATION

Optimum use of available shaft eliminates required space for mechanical parts and maximise internal cabin area.





## **Benefits**

Customised solutions

Safety upgrade

Energy consumption upgrade

Compatible with remaining equipment

Standardised solutions for common mod cases

[www.kleemannlifts.com](http://www.kleemannlifts.com)



MIX  
Paper from responsible sources  
FSC® C122758

